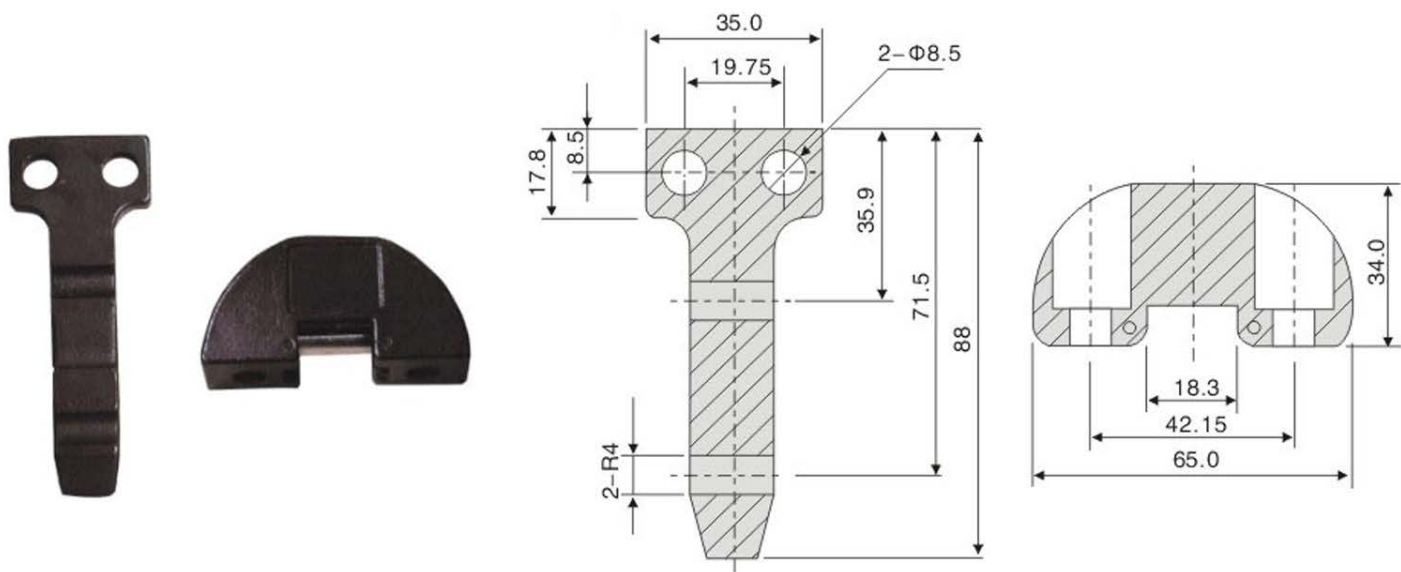


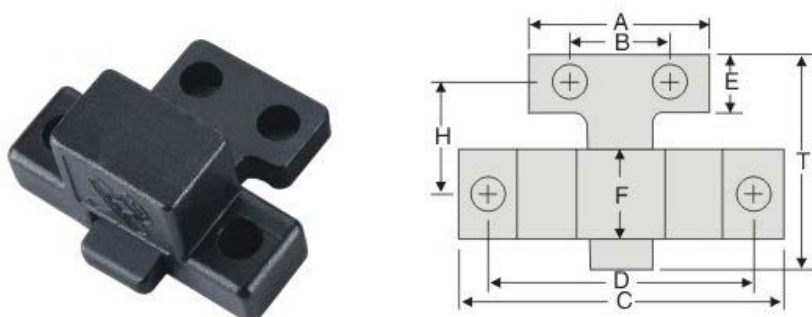
JH061半圓型 Half—rotundity type



訂購方法：代号
Order:Type

| Material | Hardness |
|----------|------------|
| 材質 | 硬度 |
| 白鐵SUS404 | HRC50°~52° |

SL型



| Material | Hardness |
|----------|------------|
| M材質 | 硬度 |
| SCM21 | HRC55°~60° |

裝置之功能及優點：

- 1.利用簡單之構造，可使模具完全打開與密合，且裝置簡單互換性高：
- 2.本裝置最適合三模崗之針點射出，有拉斷料頭與脫模一次完全之功能。
- 3.本裝置有四種型：GSL-2型適合5盎司以下之模具，GSL-3型適合中型模具，GSL-4型適合大型模具。
- 4.本裝置採用高級合金鋼熱處理後研磨而成，採用進口彈簧，品質可靠。

Function & Instructions:

- 1 .Using simple construction,can open and close the mold completely and inter change easily
- 2.Excellent for 3-pcs mold plates for its precision injection.It will cut off the excessive materials and leave the mold at the time of finishing .
- 3.4different clamping force : GLS-2 suit for mold below 5ounce ,GLS-3 suit for medium model .GLS-4suit for big model
- 4.This equipment was made by advanced alloy steel and heat treatment &milling it adopt imported spring , with reliable quality.

| Type | A | B | C | D | E | F | H | T | Hole 孔 | Force 拉模力kg |
|----------|----|----|-----|----|----|----|----|-----|--------|-------------|
| JH062-2S | 40 | 26 | 72 | 60 | 20 | 20 | 23 | 49 | M8 | 60 |
| JH062-2L | 36 | 22 | | | | | 66 | 96 | | |
| JH062-3S | 50 | 30 | 113 | 90 | 22 | 30 | 38 | 73 | M10 | 80 |
| JH062-3L | | | | | | | 79 | 118 | | |
| JH062-4S | 50 | 30 | 113 | 90 | 22 | 30 | 38 | 73 | M12 | 100 |
| JH062-4L | | | | | 25 | | | | | |

● Order:Type

2D下載

3D下載

返回索引