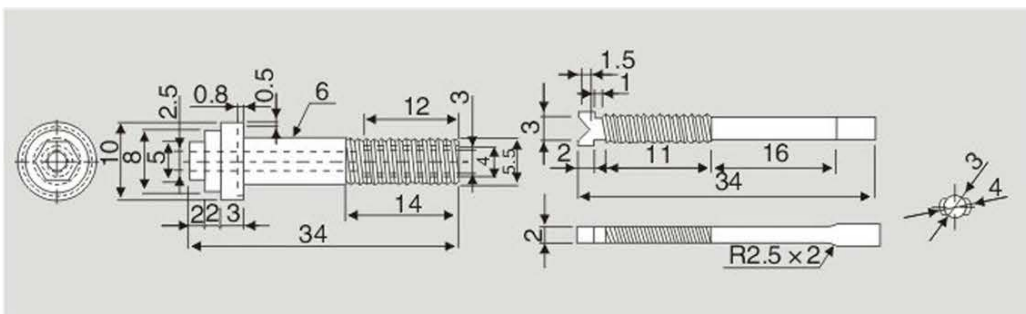
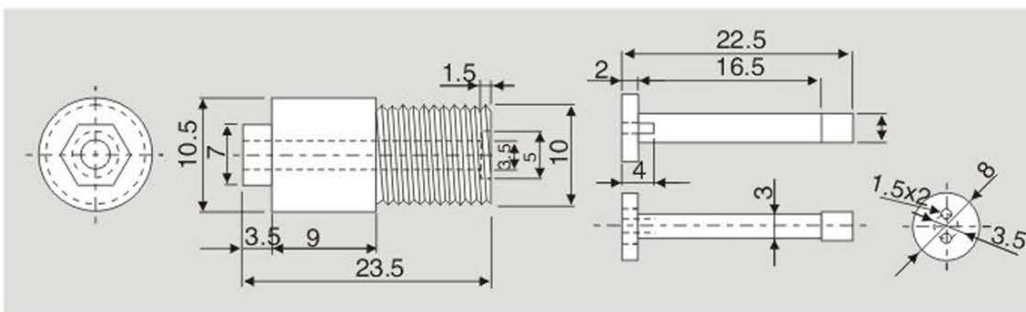


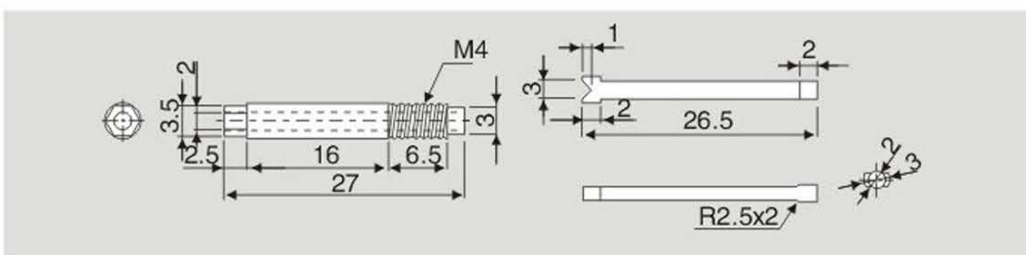
JH078-7



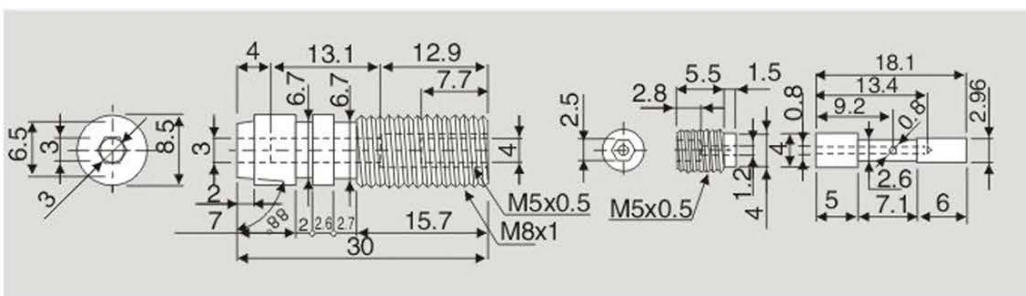
JH078-8



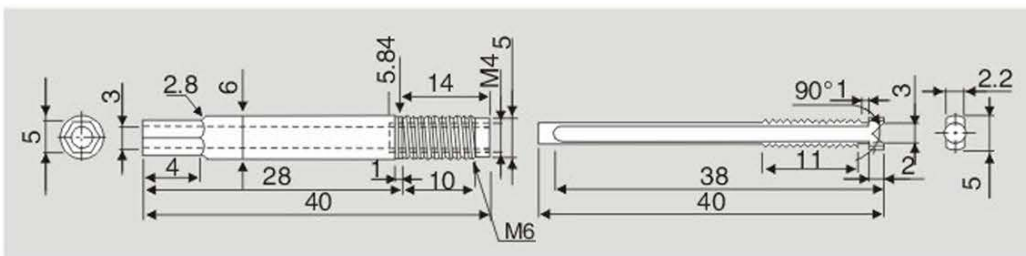
JH078-9



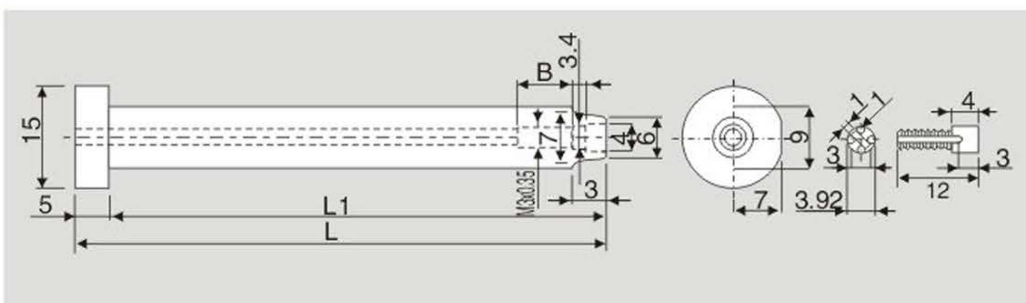
JH078-10



JH078-11



JH078-12



● Order: Catalog No. x x

2D下載

3D下載

返回索引