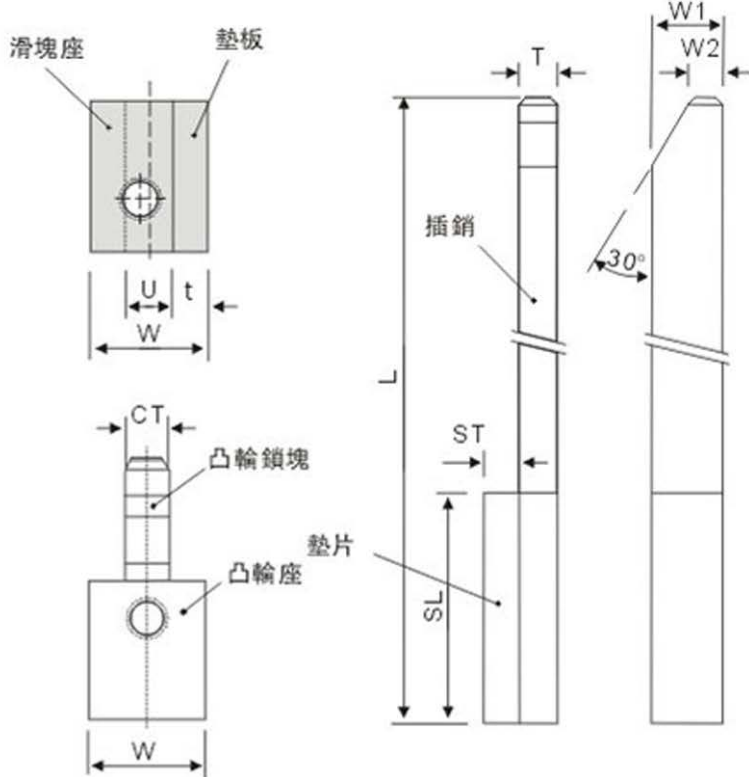
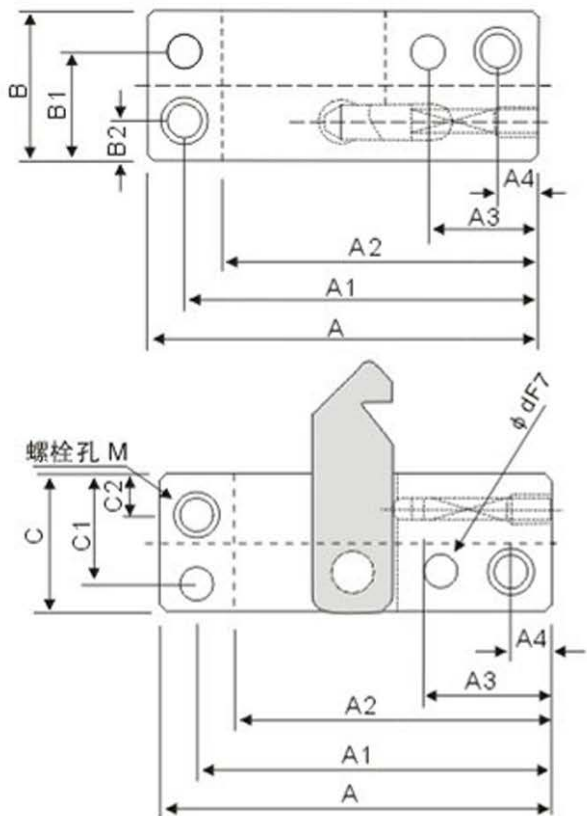


此款產品結構小, 正確開模, 無反作用力。完全沒有鎖模負載, 可用于低壓鎖模成形。其動作與合模順序無關。流道閘先于分型面閉合時, 鎖緊塊起到後退功能。

It with small frame, but open mold exactly and no counteractive.no lock load, apply to low pressure lock molding. It's action irrespective of compound molding sequence.

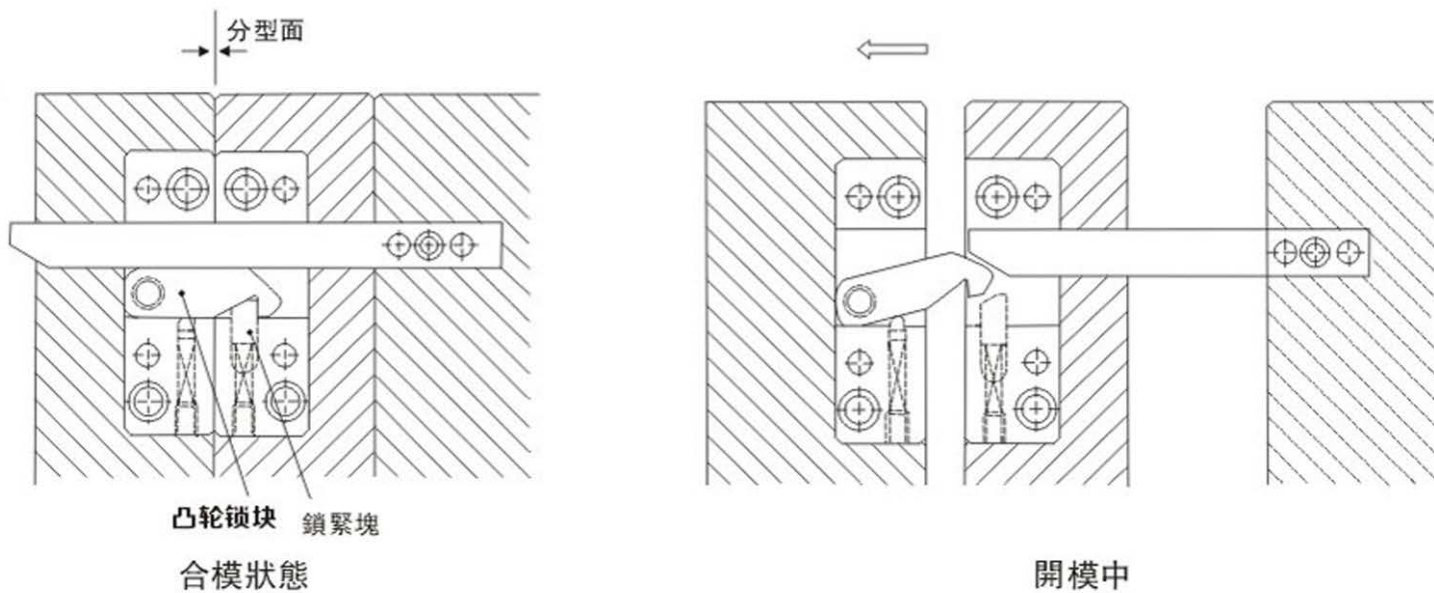
Locking blocks have back function when hot runner plate close before devide face.



Type	滑塊座 凸輪座												墊閘			插銷		墊片				
	A	A1	A2	A3	A4	B	B1	B2	C	C1	C2	W	U	螺栓孔 M	d	t	W1	W2	T	L	ST	SL
PPLS (輕負載用)	68	61.5	55	19	7	26	19	7	24	17	7	20	8	M6	φ6	6	13	5.9	7	250	6.5	40
PPLM (中負載用)	88	79	70	24	9	38	29	9	30	21	9	30	12	M8	φ8	7	16	8	10	300	8	50
PPLL (重負載用)	104	93	82	27	11	48	37	11	38	27	11	45	20	M10	φ10	8	20	9.5	15.5	350	10.2	55

使用例

Example



● Order: [Type No.] x [Pcs]
PPLS X 10

2D下載

3D下載

返回索引