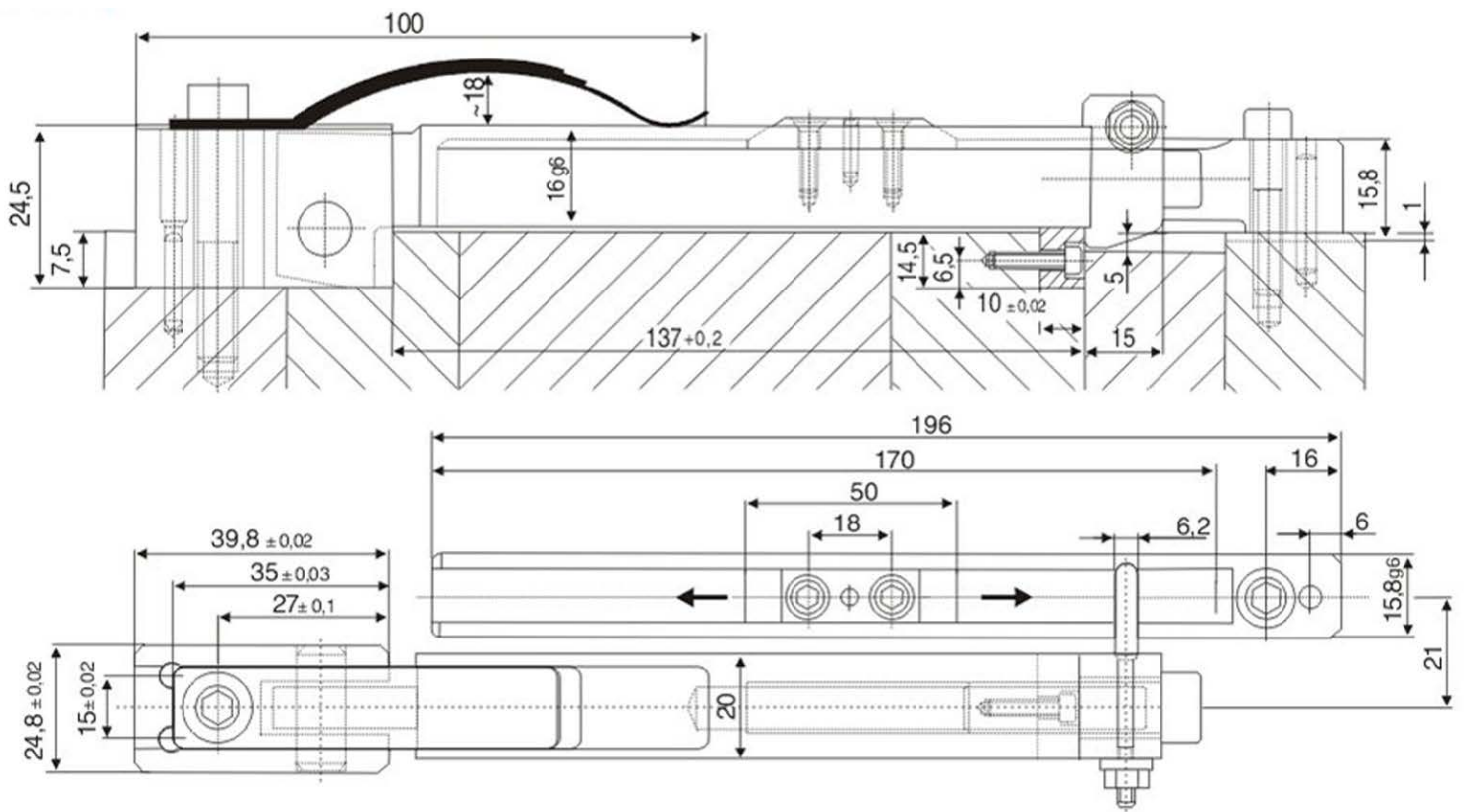




特點: 安裝加工簡單, 機械互鎖設計, 安全可靠, 可根據模具荷重選擇對應產品, 在模闔上至少要2套并對稱使用。 (使用溫度範圍120℃)

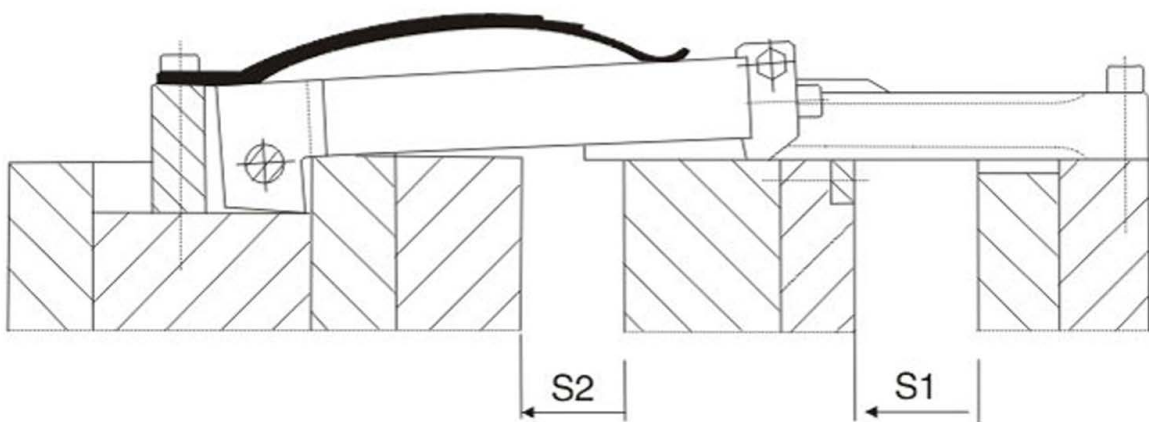
Characteristics: Installation and processing are simple. Design of mechanical interlock is safe and reliable. Connecting body and square positioning make product more accurate. People can select corresponding product according to die load. There shall be at least 2 sets on template for symmetrical use. perating temperature range is 120℃.

Z5-0

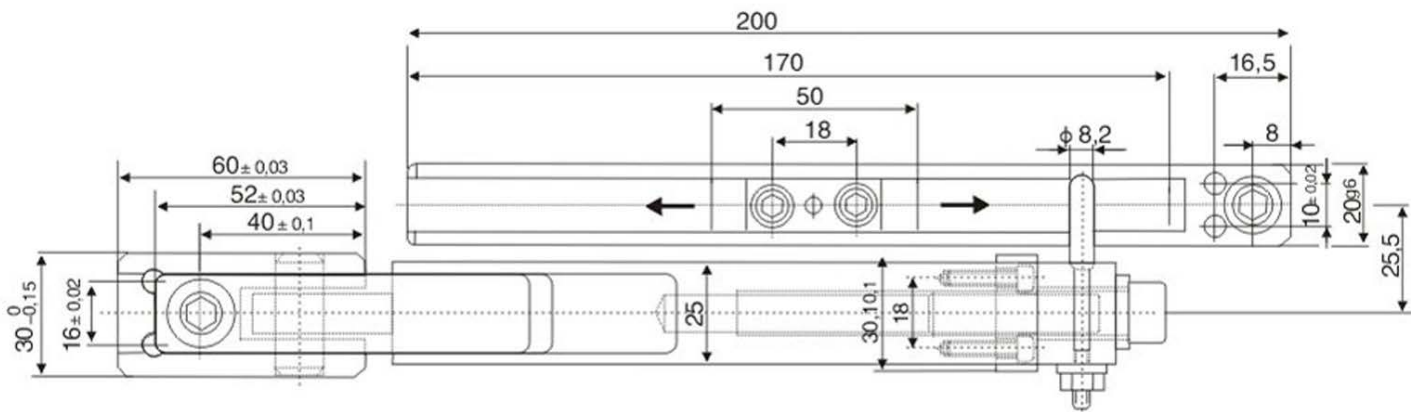
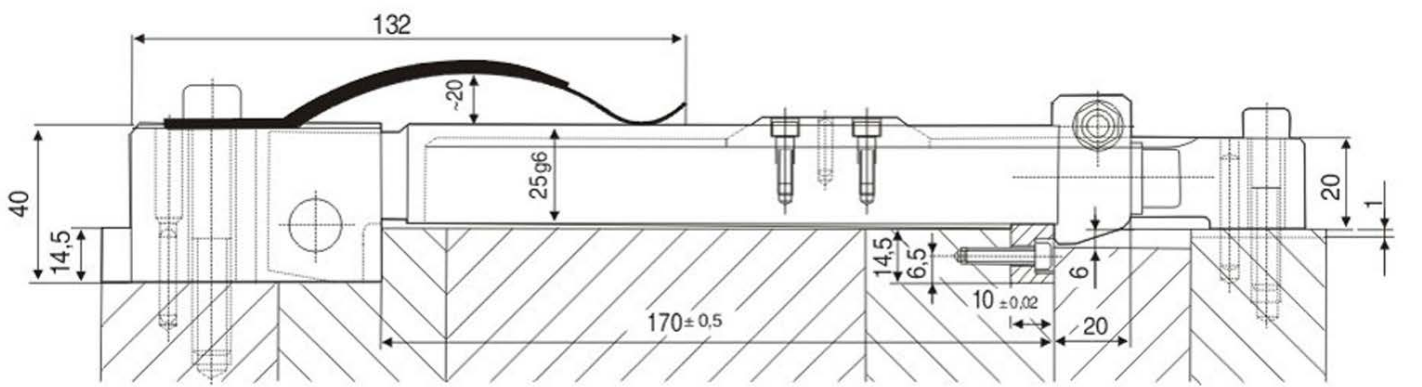


Order: Type No. x Pcs
Z5-0 X 10

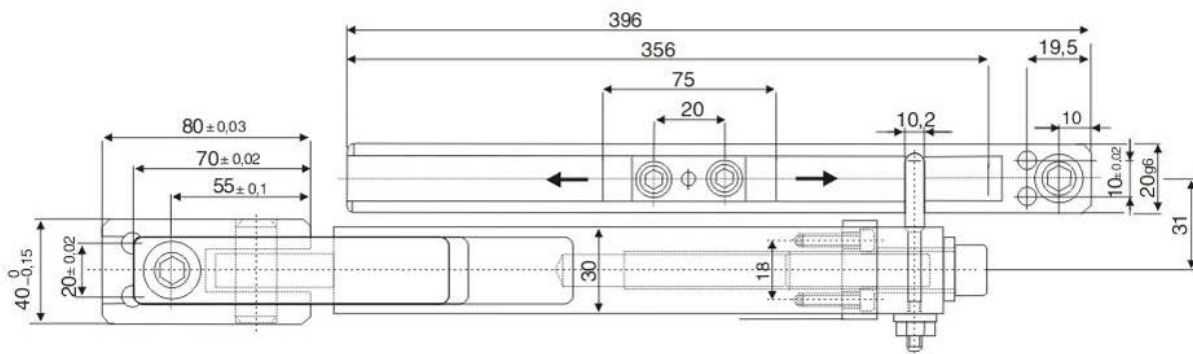
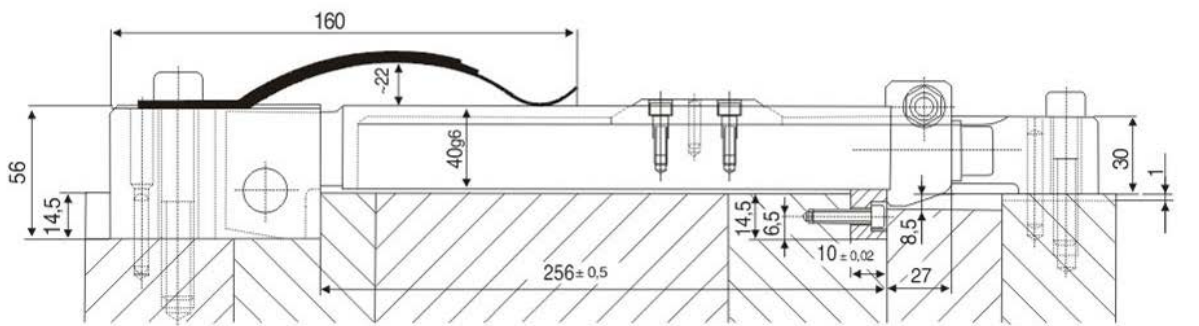
Example 使用例



Z5-1



Z5-2



2D下载

3D下载

返回索引