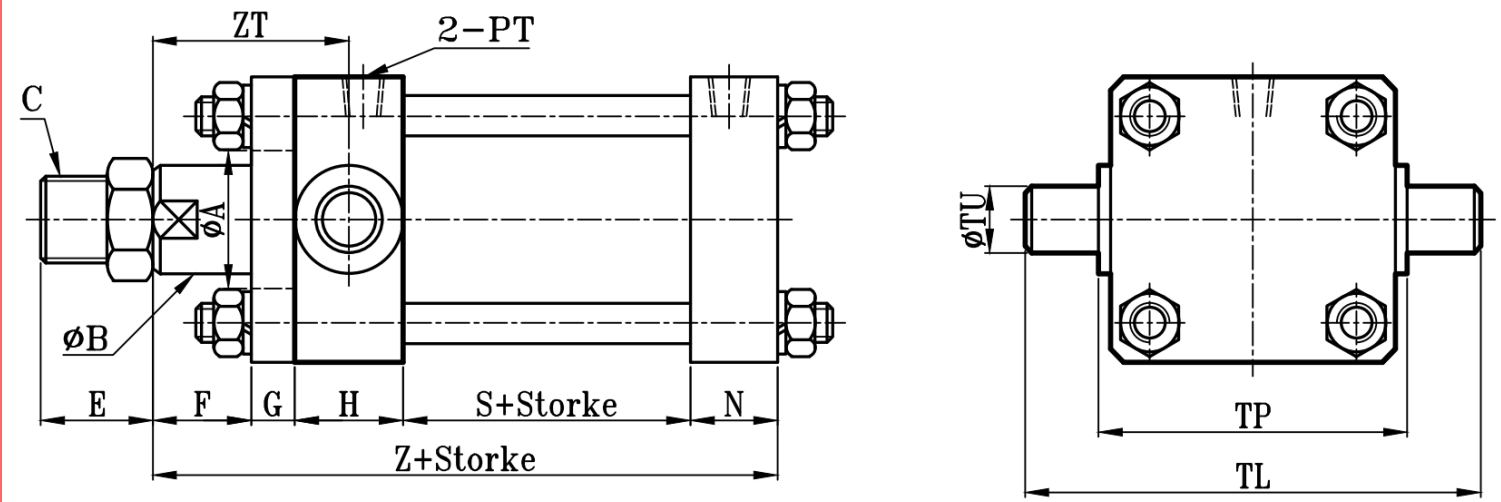
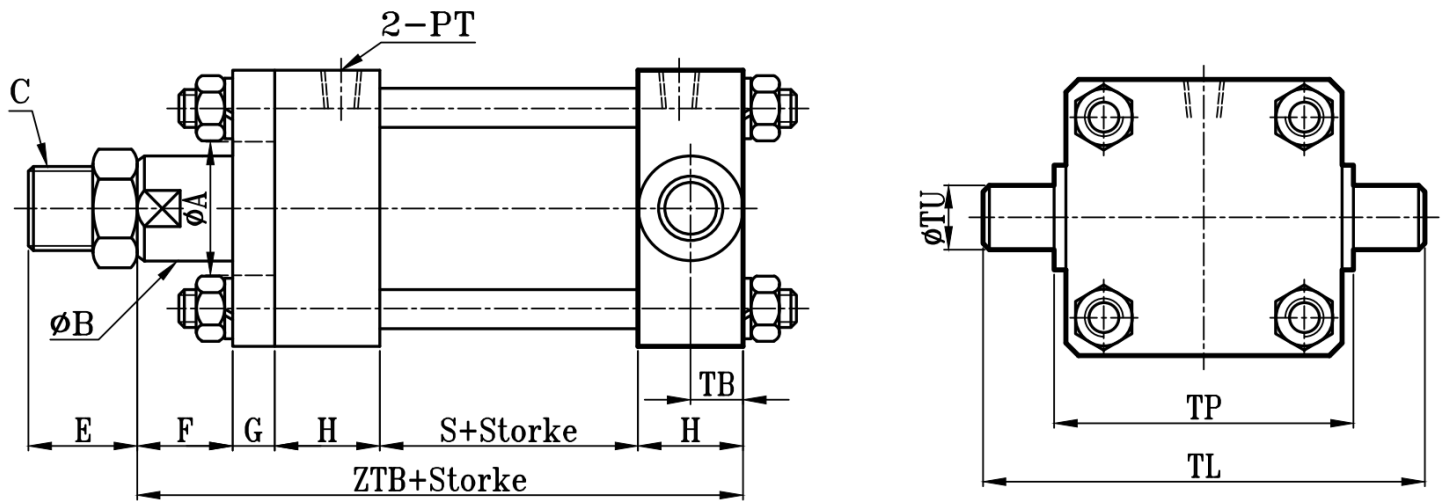


HOB:HOB+TA TYPE

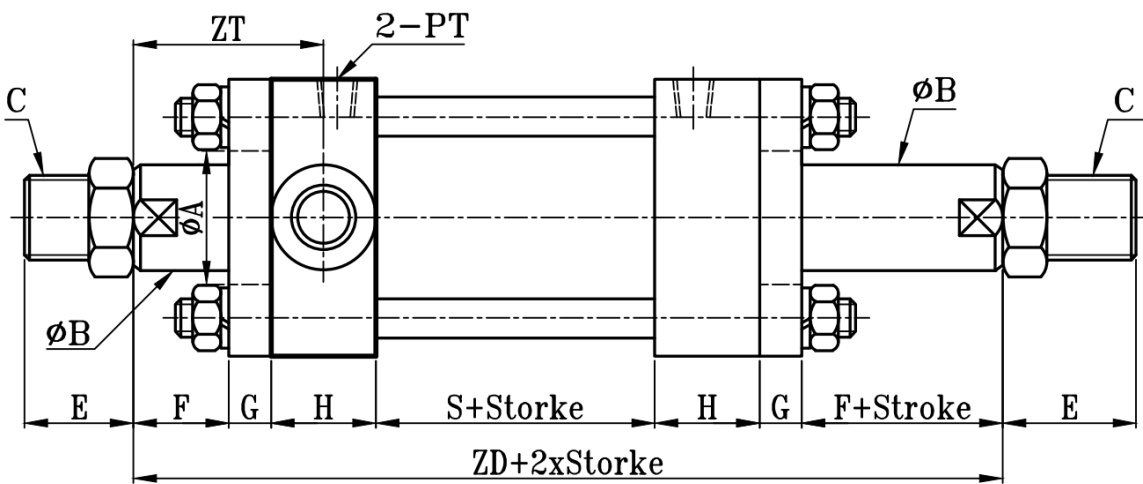
方型重型油压缸TA板尺寸图 14Mpa Hydraulic Cylinders TA Dimensional Features



HOB:HOB+TB TYPE



HOD:HOD+TA TYPE



缸径 BORE	HOB-HOD TYPE															TA/TB TYPE		
	ϕA	ϕB	C	E	F	G	H	N	PT	S	Z	ZD	ZT	ZTB	TB	ϕTU	TL	TP
$\Phi 32$	31	18	M16xP1.5	30	15	14	28	25	1/4"	50	132	164	43	135	14	16	92	60
$\Phi 40$	38	25	M22xP1.5	35	20	14	28	25	3/8"	50	137	174	48	140	14	20	115	75
$\Phi 50$	44	30	M26xP1.5	40	20	16	33	28	3/8"	55	152	193	52.5	157	16.5	25	140	90
$\Phi 63$	49	35	M30xP1.5	40	20	16	33	28	3/8"	55	152	193	52.5	157	16.5	30	160	100
$\Phi 80$	54	40	M30xP1.5 M36xP1.5 可选	45	25	18	38	33	1/2"	60	174	222	62	179	19	30	190	120
$\Phi 100$	64	50	M40xP2.0	50	25	20	38	33	1/2"	80	196	246	64	201	19	35	225	145
$\Phi 125$	74	60	M50xP2.0	60	30	24	43	38	3/4"	80	215	274	75.5	220	21.5	40	277	177
$\Phi 150$	97	80	M70xP2.0	80	30	29	48	43	3/4"	90	240	304	83	245	24	45	310	210
$\Phi 160$	97	80	M70xP2.0	80	30	29	48	43	3/4"	90	240	304	83	245	24	45	320	220
$\Phi 180$	117	100	M90xP2.0	100	35	34	58	48	1"	100	275	354	98	285	29	55	370	250
$\Phi 200$	117	100	M90xP2.0	100	35	39	58	53	1"	100	285	364	103	290	29	55	395	275
$\Phi 220$	150	125	M100xP3.0	no	35	44	68	58	1 1/4"	110	315	404	113	325	34	65	440	300
$\Phi 250$	150	125	M100xP3.0	110	35	49	68	63	1 1/4"	110	325	414	118	330	34	65	470	330