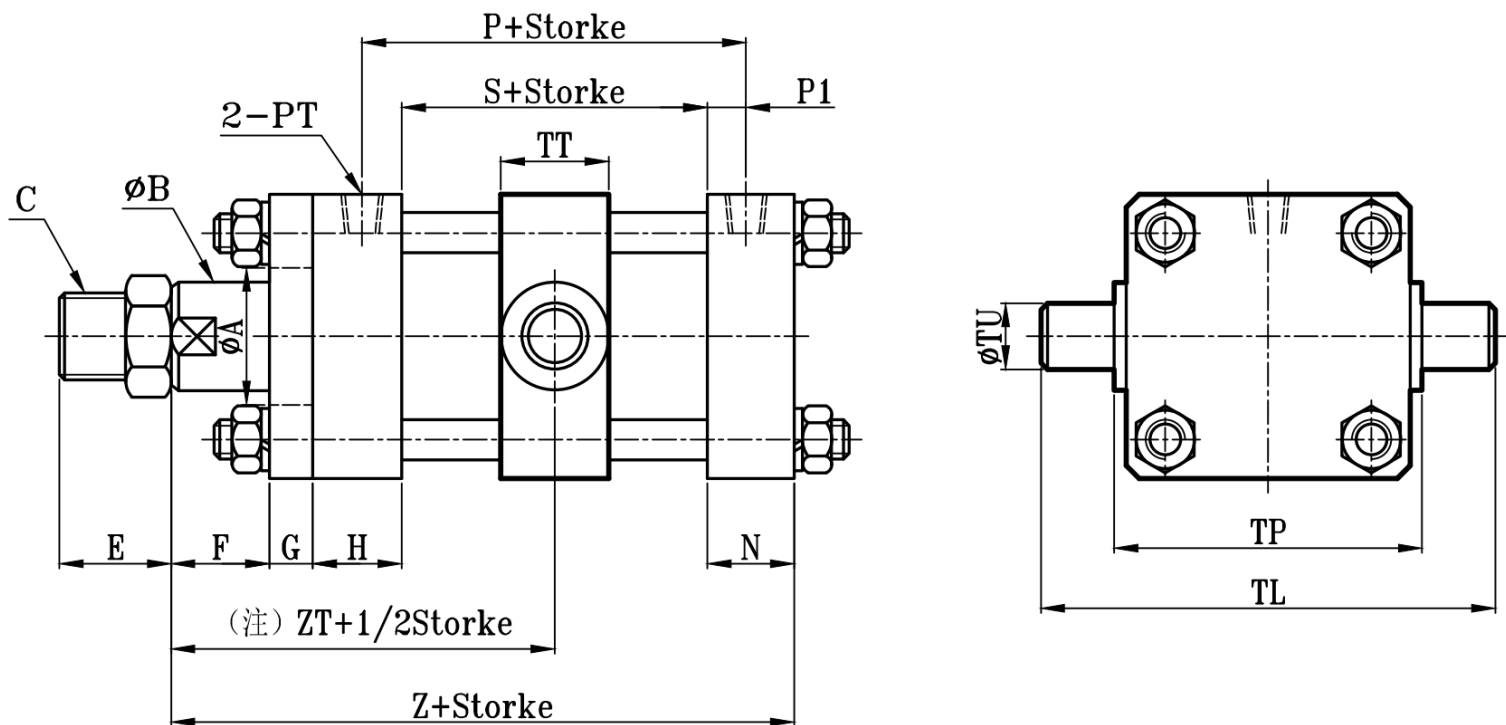
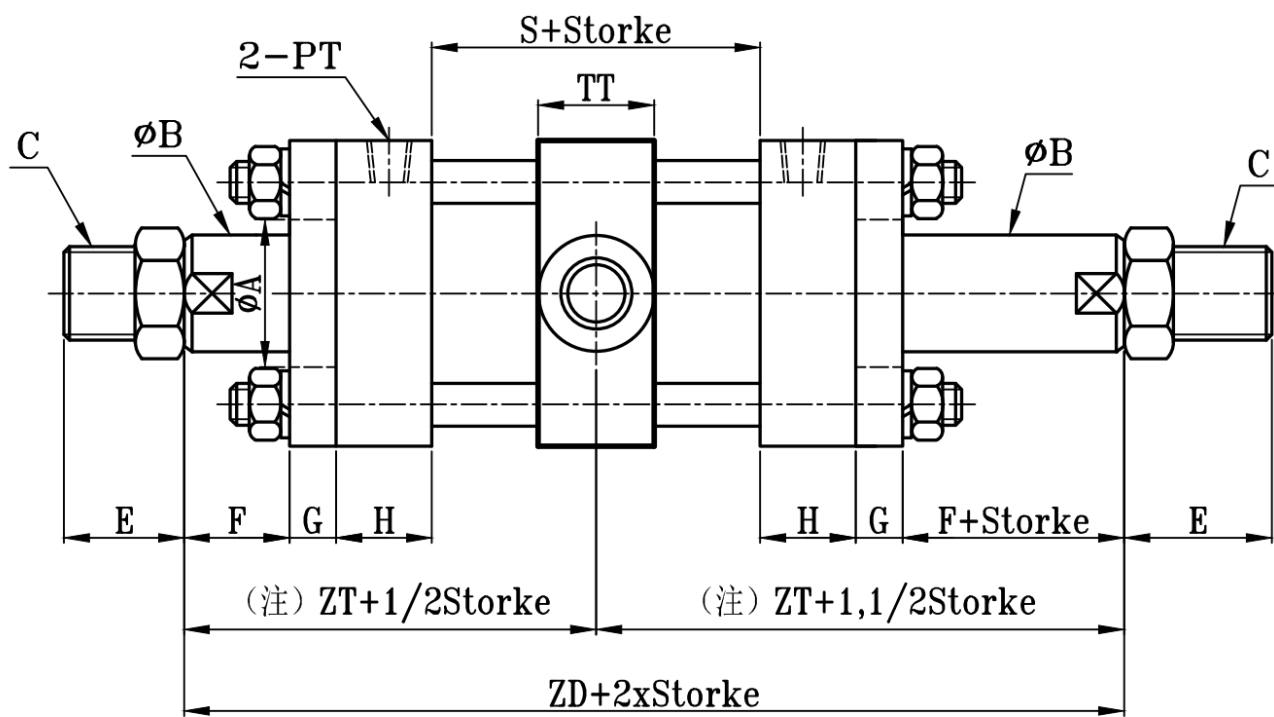


HOB:HOB+TC TYPE

方型重型油压缸TC板尺寸图 14Mpa Hydraulic Cylinders TC Dimensional Features



HOD:HOD+TC TYPE



HOB-HOD TYPE

TC TYPE

缸径 BORE	$\Phi A$	$\Phi B$	C	E	F	G	H	N	P	P1	PT	S	Z	ZD	ZT	$\Phi TU$	TL	TP	TT
$\Phi 32$	31	18	M16xP1.5	30	15	14	28	25	71	10.5	1/4"	50	132	164	82	16	92	60	18
$\Phi 40$	38	25	M22xP1.5	35	20	14	28	25	71	10.5	3/8"	50	137	174	87	20	115	75	22
$\Phi 50$	44	30	M26xP1.5	40	20	16	33	28	80	12.5	3/8"	55	152	193	96.5	25	140	90	27
$\Phi 63$	49	35	M30xP1.5	40	20	16	33	28	80	12.5	3/8"	55	152	193	96.5	30	160	100	32
$\Phi 80$	54	40	M30xP1.5 M36xP1.5 可选	45	25	18	38	33	91	15.5	1/2"	60	174	222	111	35	190	120	37
$\Phi 100$	64	50	M40xP2.0	50	25	20	38	33	111	15.5	1/2"	80	196	246	123	40	220	140	42
$\Phi 125$	74	60	M50xP2.0	60	30	24	43	38	116	18	3/4"	80	215	274	137	50	277	177	52
$\Phi 150$	97	80	M70xP2.0	80	30	29	48	43	130	20	3/4"	90	240	304	152	60	330	210	62
$\Phi 160$	97	80	M70xP2.0	80	30	29	48	43	130	20	3/4"	90	240	304	152	60	340	220	62
$\Phi 180$	117	100	M90xP2.0	100	35	34	58	48	146	23	1"	100	275	354	177	75	400	250	77
$\Phi 200$	117	100	M90xP2.0	100	35	39	58	53	146	23	1"	100	285	364	182	75	425	275	77
$\Phi 220$	150	125	M100xP3.0	110	35	44	68	58	166	28	1 1/4"	110	315	404	202	90	480	300	92
$\Phi 250$	150	125	M100xP3.0	110	35	49	68	63	166	28	1 1/4"	110	325	414	207	90	510	330	92

注:ZT尺寸可按要求定做