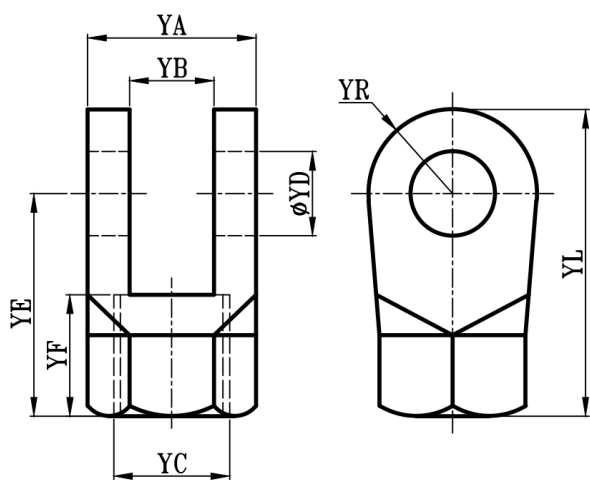


# 油压缸轴牙通用配件:Y、P、I

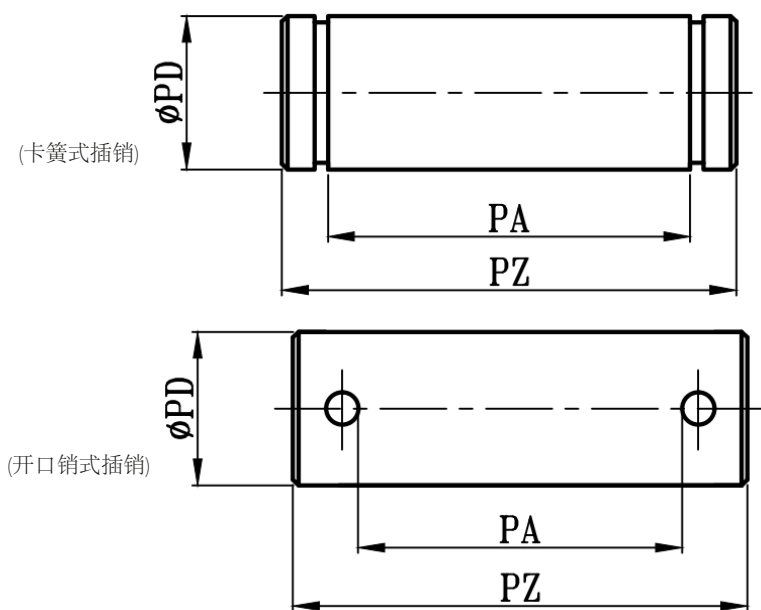
油缸系列通用配件尺寸图 Accessories for Hydraulic Series Cylinders

## Y: (Y型接头)TYPE



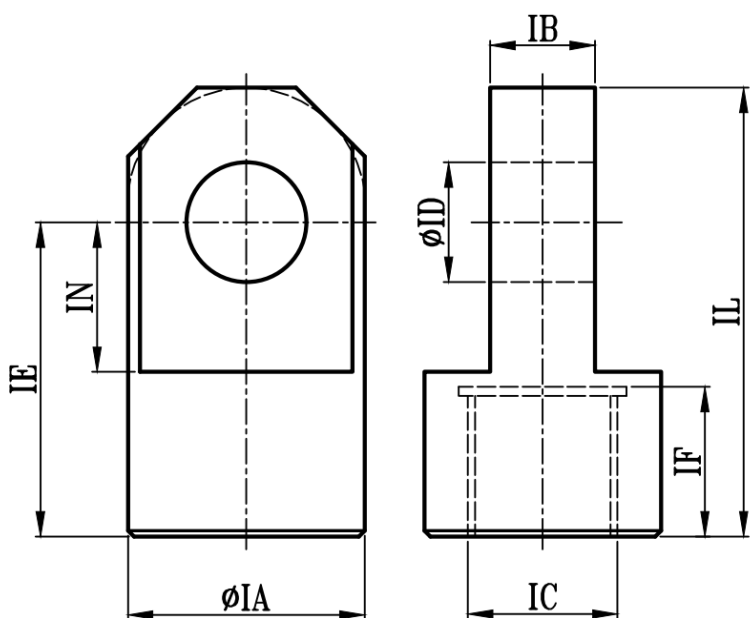
型号	YA	YL	YR	YE	YF	YC	YB	ΦYD
HY010	20	50	10	40	25	M10xP1.25	10	10
HY012	20	50	10	40	25	M12xP1.25	10	10
HY014	28	60	14	46	27	M14xP1.5	14	14
HY016	28	60	14	46	27	M16xP1.5	14	14
HY022	36	70	18	52	29	M22xP1.5	18	18
HY026	44	84	22	62	35	M26xP1.5	22	22
HY030	50	90	25	65	35	M30xP1.5	25	25
HY036	60	100	30	70	35	M36xP1.5	30	30
HY040	70	115	35	80	40	M40xP2	35	35
HY050	90	140	45	95	45	M50xP2	45	45
HY070	110	180	55	125	65	M70xP2	55	55
HY090	140	230	70	160	85	M90xP2	70	70
HY100	170	265	85	180	90	M100xP3	85	85

## P: (插销)TYPE



型号	PZ	PA	ΦPD
HP010	35	21.5	10
HP014	43	29.5	14
HP018	46	37.5	18
HP022	55	46.5	22
HP025	62.5	52.5	25
HP030	72.5	62.5	30
HP035	84	72.5	35
HP045	105	92.5	45
HP055	127	112.5	55
HP070	160	142.5	70
HP085	190	172.5	85

## I: (I型接头)TYPE



型号	IE	IN	IL	IF	IB	IC	IA	ΦID
HI010	40	15	50	20	10	M10xP1.25	20	10
HI012	40	15	50	20	10	M12xP1.25	20	10
HI014	46	19	60	22	14	M14xP1.5	30	14
HI016	46	19	60	22	14	M16xP1.5	30	14
HI022	52	23	70	24	18	M22xP1.5	40	18
HI026	62	27	84	30	22	M26xP1.5	45	22
HI030	65	30	90	30	25	M30xP1.5	55	25
HI036	70	35	100	30	30	M36xP1.5	60	30
HI040	80	40	115	35	35	M40xP2	70	35
HI050	100	50	145	45	45	M50xP2	90	45
HI070	125	60	180	60	55	M70xP2	110	55
HI090	160	75	230	80	70	M90xP2	140	70
HI100	180	90	265	85	85	M100xP3	170	85