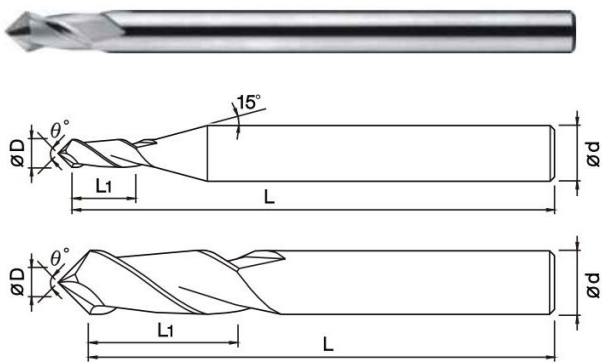
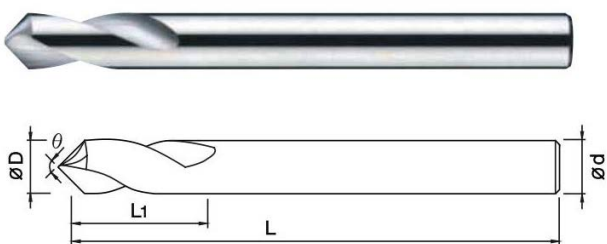


Diameter	Angle	Length of cut	Effective Length	Neck Diameter	Overall Length	Shank Dia
D	θ	L1	L2	D1	L	d
1.5	30°	0.21	3	0.75	45	4
1.5	45°	0.37	3	0.75	45	4
2	30°	0.28	5	1	50	4
2	45°	0.5	5	1	50	4
2.5	30°	0.37	6	1.2	50	4
2.5	45°	0.65	6	1.2	50	4
3	30°	0.43	7.5	1.5	50	4
3	45°	0.75	7.5	1.5	50	4
4	30°	0.57	10	2	50	4
4	45°	1	10	2	50	4
5	30°	0.72	12.5	2.5	60	6
5	45°	1.25	12.5	2.5	60	6
6	30°	0.86	15	3	60	6



Diameter	Angle	Length of cut	Overall Length	Shank Dia
D	θ	L1	L	d
0.3	60°	0.6	45	3
0.3	90°	0.6	45	3
0.5	60°	1	50	3
0.5	90°	1	50	3
0.8	60°	1.6	50	3
0.8	90°	1.6	50	3
1	60°	2	50	3
1	90°	2	50	3
2	60°	4	50	3
2	90°	4	50	3
3	60°	6	50	3
3	90°	6	50	3
3	60°	6	50	6



Diameter	Angle	Length of cut	Overall Length	Shank Dia
D	θ	L1	L	d
2	90°	6	50	3
2	120°	6	50	3
3	90°	10	50	3
3	120°	10	50	3
3	90°	10	100	3
3	120°	10	100	3
4	90°	12	50	4
4	120°	12	50	4
4	90°	12	100	4
4	120°	12	100	4
6	90°	15	70	6
6	120°	15	70	6
6	90°	15	110	6